

Table S1. Specifications of the greenhouse

Greenhouse type	Galvanized iron with A-shaped roof of screw and nut type
Type of greenhouse covering	Double layer polycarbonate sheets
Heat transfer coefficient	2.44 kcal h ⁻¹ m ⁻² °C
Greenhouse width	8 m
Greenhouse length	2 m
Distance between the two columns	2 m
Height of the columns	2 m
Maximum height	3 m

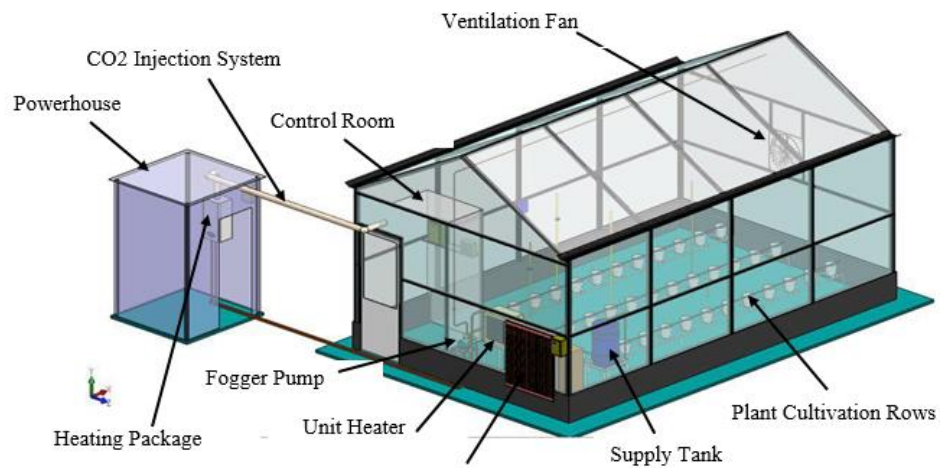


Figure S1. Greenhouse modeling with solidworks software



Figure S2. Greenhouse climate control center

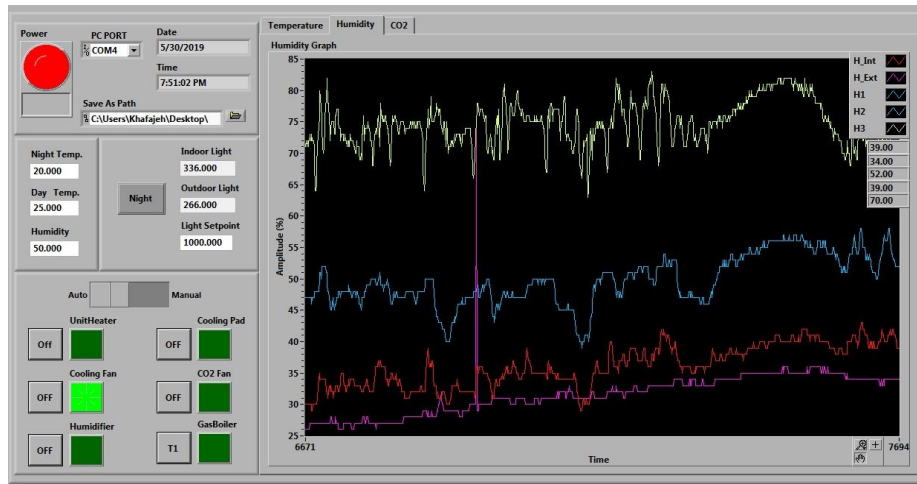


Figure S3. Fuzzy graphical user interface (GUI)

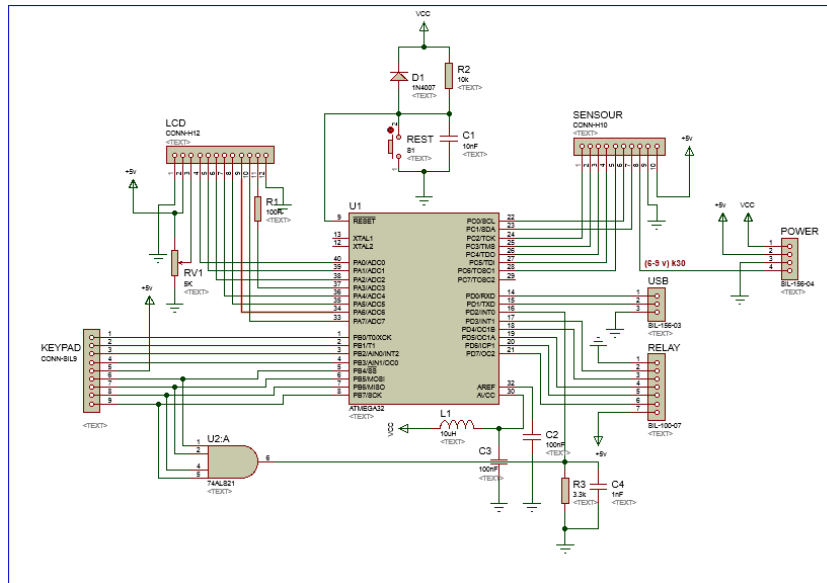


Figure S4. Control system board

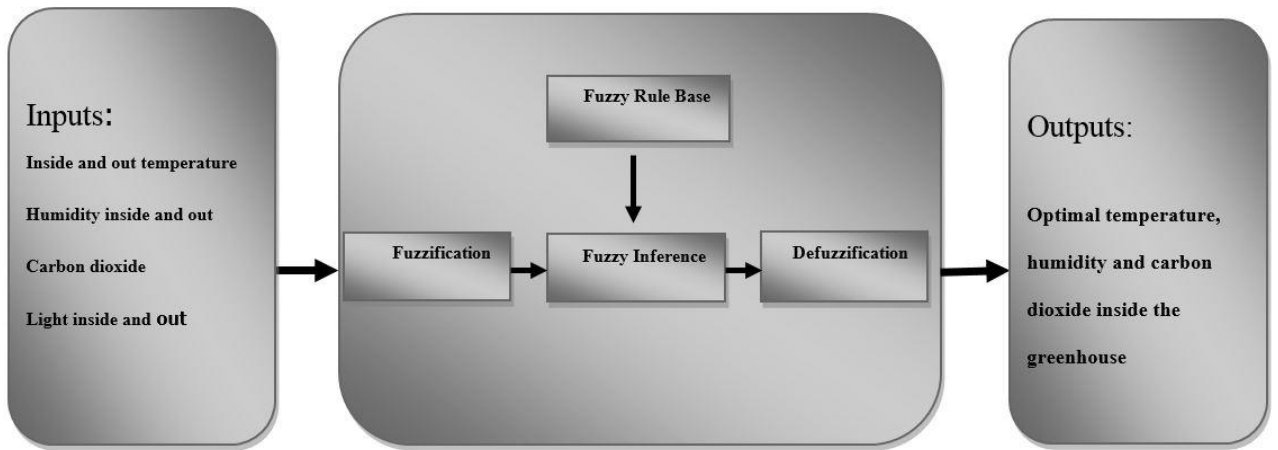


Figure S5. Fuzzy logic controller